

## Metos Proveno Combi Jacketed Kettle

Model – Proveno Combi 80E ELECTRIC code 4222904C



### Standard features

- Proveno kettle with integrated mixer
- Stepless mixing speed 15-140 rpm/min, autoreverse
- Elevated control pillar with guiding touch panel
- Audiovisual signals for user
- Multi functional timer
- Programming on screen, unlimited number of programs and program phases, favourite pages
- Programs for basic foods and wash programs
- Mixing patterns and saving of your own patterns
- ProTemp – real time temperature control, food and jacket temperature separately controlled. Intelligent power setting from gentle warming to full power. Allows for example low temperature cooking, sous vide, proving and tempering.
- Delta T cooking – temperature of jacket rises accordingly when food temperature rises, temperature difference is determined.
- User privilege levels
- Safety grid lid
- Strainer plate
- Recoiled handshower
- Automatic measured water filling
- Electric tilting
- Tilting while mixing function
- Auto tilt-back
- USB Port on control panel for program updates, program transfers and HACCP data saving
- Teacher status for practising
- Diagnostics for maintenance
- Energy and water consumption measuring
- Steam jacket automatic fill
- Measuring stick

Please refer to Metos website for options and accessories

### Materials

- Construction stainless steel
- Inner surface acid proof stainless steel
- Cooking pot is welded and seamless
- Closed cell polyurethane foam insulation for increased energy efficiency and more robust construction
- Protection class IPX5

### Technical Data

#### Proveno 80E

Net Volume	80 L
Spare Volume	11 L
Gross Volume	91 L
Water Cold	Ø 15 mm
Water Hot	Ø 15 mm
Heat load total / sensible / latent	20 kW / 3.4 kW / 0.8 kW
Electrical Power	22.0 kW
Voltage	400-415V 3P+N+E 50/60Hz
Fuse/3xA	40

*Disclaimer: All unit capacities are based on subjective testing. In line with policy to continually develop and improve its products, Metos Oy Ab reserves the right to change specifications and design without notice.*

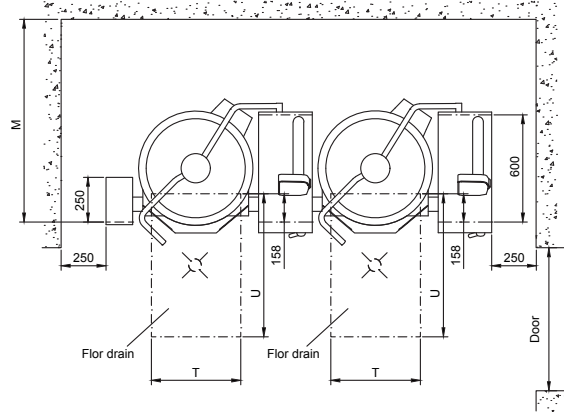
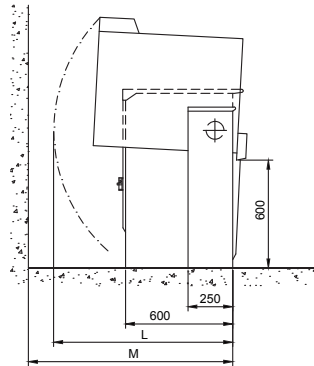
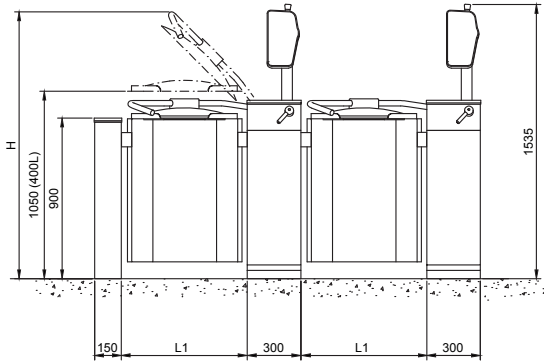
### NOTE

Mandatory installation kit required for all installations, options are:

Single kettle surface	code 4222188
Single kettle subsurface	code 4222190
Group kettle surface	code 4222192
Group kettle subsurface	code 4222194

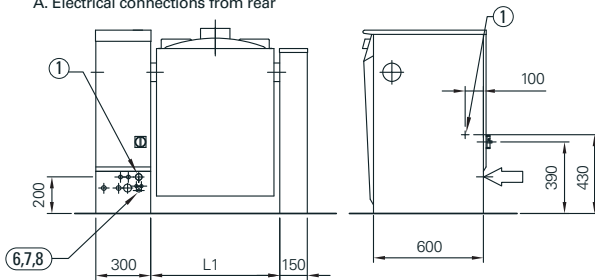


Proveno	L1 (mm)	H (mm)	K (mm)	L (mm)	M (mm)	E (mm)	U (mm)	T (mm)	Door (mm)	N (mm)	Weight (kg)
80E	704	1745	900	1010	1235	85	800	500	800	600	245

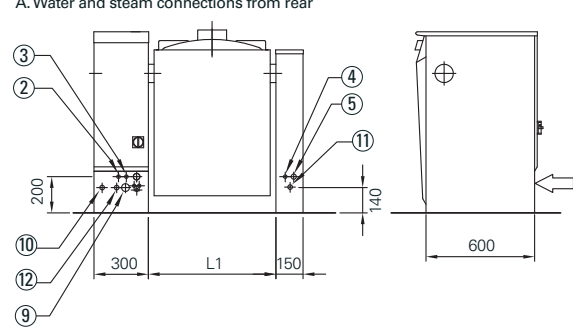


1. Electrical connection, PG36/PG29 gland
2. Cold water connection R1/2" (ø15), to be fitted with one way valve and shut off valve
3. Hot water connection R1/2" (ø15), to be fitted with one way valve and shut off valve (option)
4. Ice bank cooling inlet R3/4" max. pressure 3 bar, flow 90L/min. (option)
5. Ice bank cooling outlet R1" (option)
6. Ice bank cooling control cable (option)
7. HACCP cabling (option)
8. Power management system control cable (option)
10. Condensate outlet R1/2" / R3/4" (option)
11. Compressed air inlet R1/2" (option)
12. Twin water inlet R1/2" (option)

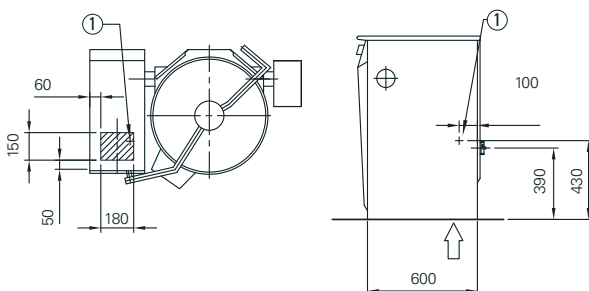
A. Electrical connections from rear



A. Water and steam connections from rear



B. Electrical connections from below



B. Water and steam connections from below

