

Standard features kettle without mixer

- Elevated control pillar with selected features
- Tilting height 600 mm
- Electric tilting 40-150 liter kettles, hydraulic tilting 200-400 liter kettles
- Measuring stick

Standard features kettle with mixer

- Kettle with integrated mixer
- Mixing speed control 20-110 rpm/min, autoreverse
- Two mixing programs
- Elevated control pillar with selected features
- Tilting height 600 mm
- Electric tilting 40-150 liter kettles, hydraulic tilting 200-400 liter kettles
- Safety grid lid
- Measuring stick

Wide range of accessories available.

Options

- Frames for fixed installation (custom heights on request)
- Free standing kettles with feet
- Cooking bowl cover plates welded and seamless with closed cell polyurethane foam insulation
- Electric or steam heating
- Alternative operating voltages
- Food temperature display
- Automatic measured food water filling
- Manual or automatic cooling with tap water
- Steam jacket automatic fill
- Connection to external HACCP system
- Wireless HACCP IoLiving
- Hand showers, Standard, Reel-in or Heavy Duty
- Draw off valves and taps

Materials

- Construction stainless steel
- Inner surface acid proof stainless steel
- Protection class IPX5



Volumes

| Viking | Brut L | Net L | Spare volume L |
|--------|--------|-------|----------------|
| 40 | 48 | 40 | 8 |
| 60 | 68 | 60 | 8 |
| 80 | 91 | 80 | 11 |
| 100 | 111 | 100 | 11 |
| 150 | 169 | 150 | 19 |
| 200 | 219 | 200 | 19 |
| 300 | 333 | 300 | 33 |
| 400 | 433 | 400 | 33 |

Heat load

| Viking | Total kW | Viking Combi | Total kW | Sensible kW | Latent kW |
|--------|----------|--------------|----------|-------------|-----------|
| 40 | 9.0 | 40 | 11.5 | 2.4 | 0.4 |
| 60 | 10.5 | 60 | 12.5 | 2.6 | 0.6 |
| 80 | 12.0 | 80 | 14.0 | 3.4 | 0.8 |
| 100 | 16.0 | 100 | 18.0 | 3.4 | 0.8 |
| 150 | 20.0 | 150 | 23.6 | 4.3 | 1.0 |
| 200 | 30.0 | 200 | 33.6 | 6.1 | 1.4 |
| 300 | 40.0 | 300 | 43.6 | 9.6 | 1.9 |
| 400 | 57.2 | 400 | 62.0 | 11.5 | 2.1 |



metos

Metos Manufacturing

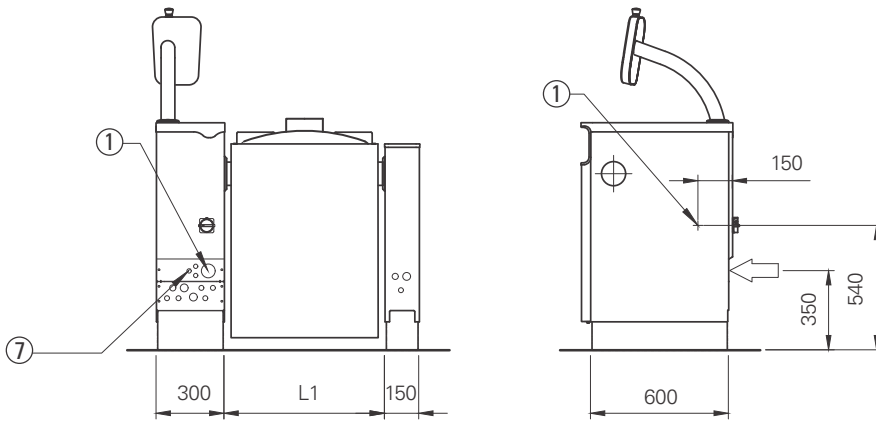
Ahjonkaarre, FI-04220 Kerava, Finland

Tel. +358 204 3913

international.sales@metos.com

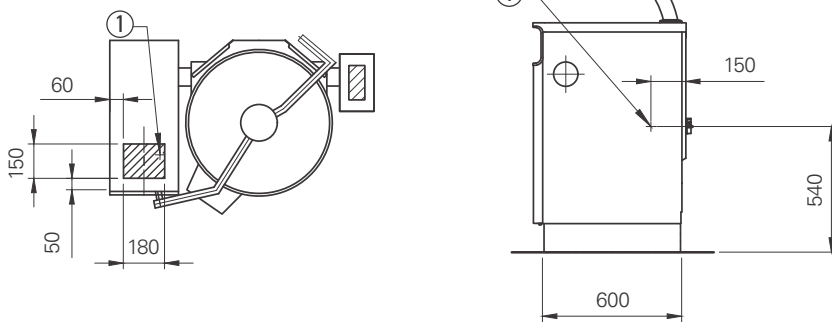
www.metos.com

A. Electrical connections from rear

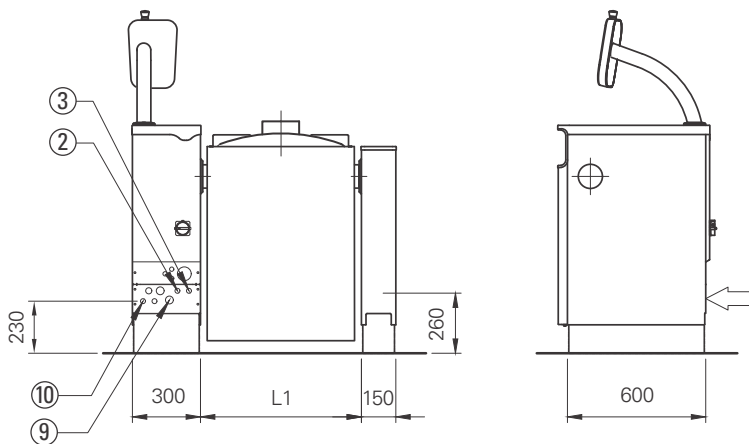


- 1. Electrical connection, PG21/PG36/PG48 gland
- 7. HACCP cabling (option)

B. Electrical connections from below

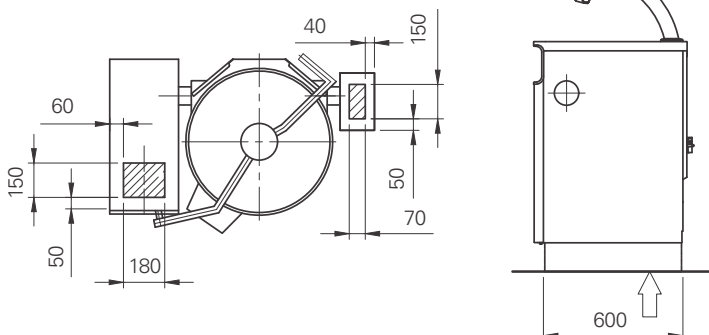


A. Water and steam connections from rear



- 2. Cold water connection R1/2" (ø15), to be fitted with non-return valve and shut off valve
- 3. Hot water connection R1/2" (ø15), to be fitted with non-return valve and shut off valve (option)
- 9. Steam connection R3/4" / R1" / R1 1/4" (option)
- 10. Condensate outlet R1/2" / R3/4" (option)

B. Water and steam connections from below



Electrical connections, ELECTRIC heated kettles

| Viking | Connected power/kW | Current A | Fuse 3xA | Viking Combi | Connected power/kW | Current A | Fuse 3xA |
|--------|--------------------|-----------|----------|--------------|--------------------|-----------|----------|
| 40E | 9.0 | 13 | 16 | 40E | 11.5 | 22 | 25 |
| 60E | 10.5 | 15 | 16 | 60E | 12.5 | 24 | 25 |
| 80E | 12.0 | 17 | 20 | 80E | 14.0 | 26 | 32 |
| 100E | 16.0 | 23 | 25 | 100E | 18.0 | 32 | 32 |
| 150E | 20.0 | 29 | 32 | 150E | 23.6 | 45 | 50 |
| 200E | 30.0 | 43 | 50 | 200E | 33.6 | 59 | 63 |
| 300E | 40.0 | 58 | 63 | 300E | 43.6 | 74 | 80 |
| 400E | 57.2 | 87 | 100 | 400E | 62.0 | 97 | 100 |

3/N/PE AC 400/230V 50/60Hz

Electrical connections, STEAM heated kettles

| Viking | Connected power/kW | Current A | Fuse 3xA | Viking Combi | Connected power/kW | Current A | Fuse 3xA |
|------------------------|--------------------|-----------|----------|--------------|--------------------|-----------|----------|
| 40S | 0.8 | 3 | 10 | 40S | 2.2 | 9 | 10 |
| 60S | 0.8 | 3 | 10 | 60S | 2.2 | 9 | 10 |
| 80S | 0.8 | 3 | 10 | 80S | 2.2 | 9 | 10 |
| 100S | 0.8 | 3 | 10 | 100S | 2.2 | 9 | 10 |
| 150S | 0.8 | 3 | 10 | 150S | 3.6 | 16 | 16 |
| 1/N/PE AC 230V 50/60Hz | | | | | | | |
| 200S | 0.9 | 2 | 10 | 200S | 3.6 | 16 | 16 |
| 300S | 0.9 | 2 | 10 | 300S | 3.6 | 16 | 16 |
| 400S | 0.9 | 2 | 10 | 400S | 4.8 | 20 | 25 |

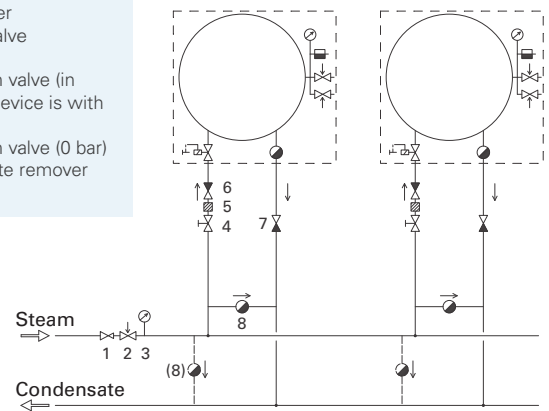
3/N/PE AC 400/230V 50/60Hz

Steam connection

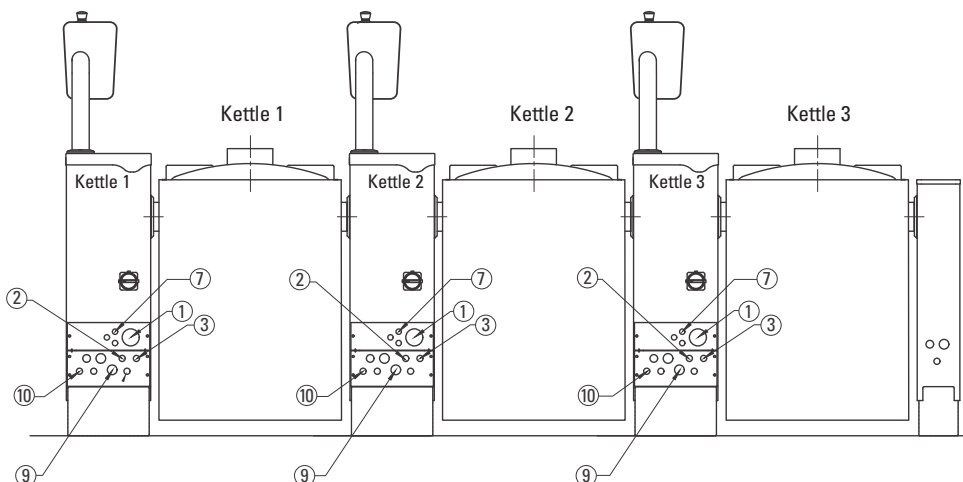
| Viking | Connection | | Outlet |
|--------|------------|----------|--------|
| 40S | R3/4" | 12 kg/h | R1/2" |
| 60S | R3/4" | 18 kg/h | R1/2" |
| 80S | R3/4" | 24 kg/h | R1/2" |
| 100S | R1" | 30 kg/h | R3/4" |
| 150S | R1" | 45 kg/h | R3/4" |
| 200S | R1 1/4" | 60 kg/h | R3/4" |
| 300S | R1 1/4" | 90 kg/h | R3/4" |
| 400S | R1 1/4" | 115 kg/h | R3/4" |

Steam supply recommendations

1. Pressure reducing valve
2. Safety valve
3. Manometer
4. Shut off valve
5. Filter
6. Non-return valve (in the case device is with cooling)
7. Non-return valve (0 bar)
8. Condensate remover

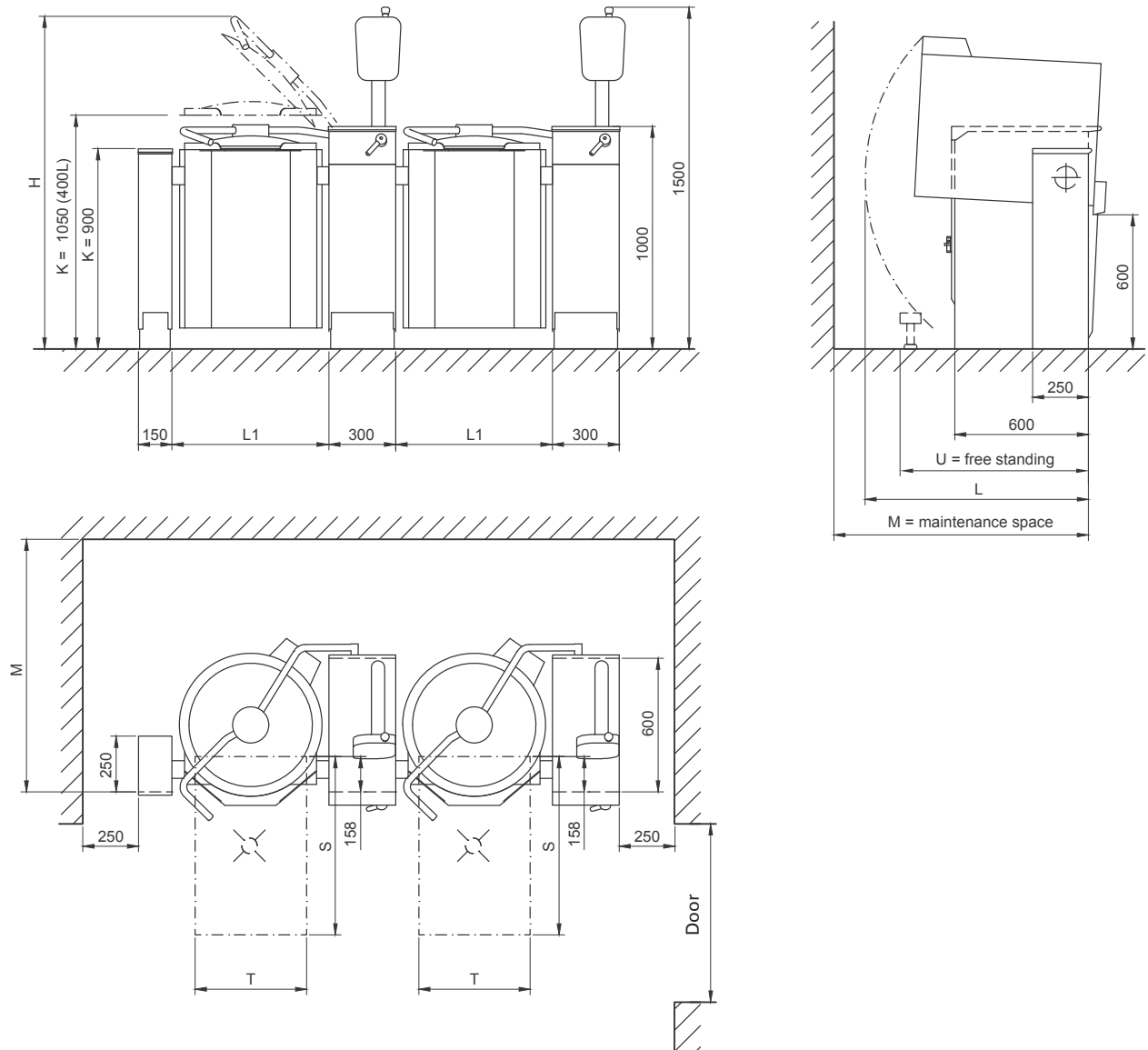


Group installation connections



1. Electrical connection, PG21/PG36/PG48 gland
2. Cold water connection R1/2" (ø15), to be fitted with one way valve and shut off valve
3. Hot water connection R1/2" (ø15), to be fitted with one way valve and shut off valve (option)
7. HACCP cabling (option)
9. Steam connection R3/4" / R1" / R1 1/4". (option)
10. Condensate outlet R1/2" / R3/4" (option)

Dimensions



| Viking | L1 (mm) | H (mm) | K (mm) | L (mm) | M (mm) | S (mm) | T (mm) | U (mm) | Door (mm) | Weight Viking (kg) | Viking Combi (kg) |
|--------|---------|--------|--------|--------|--------|--------|--------|--------|-----------|--------------------|-------------------|
| 40 | 594 | 1740 | 900 | 870 | 1055 | 800 | 400 | 860 | 800 | 155 | 195 |
| 60 | 594 | 1740 | 900 | 955 | 1180 | 800 | 400 | 860 | 800 | 165 | 205 |
| 80 | 704 | 1745 | 900 | 1010 | 1235 | 800 | 500 | 890 | 800 | 185 | 225 |
| 100 | 704 | 1745 | 900 | 1010 | 1235 | 800 | 500 | 890 | 800 | 210 | 260 |
| 150 | 910 | 1945 | 900 | 1075 | 1170 | 800 | 600 | 1110 | 1000 | 250 | 300 |
| 200 | 910 | 1945 | 900 | 1155 | 1285 | 800 | 600 | 1110 | 1000 | 290 | 340 |
| 300 | 1110 | 2110 | 900 | 1280 | 1320 | 1000 | 600 | 1010 | 1200 | 350 | 410 |
| 400 | 1110 | 2080 | 1050 | 1280 | 1320 | 1200 | 600 | 1010 | 1200 | 410 | 470 |

National and local regulations must be observed when installing the kettle.